

**Datasheet**

**Type** **AF21**

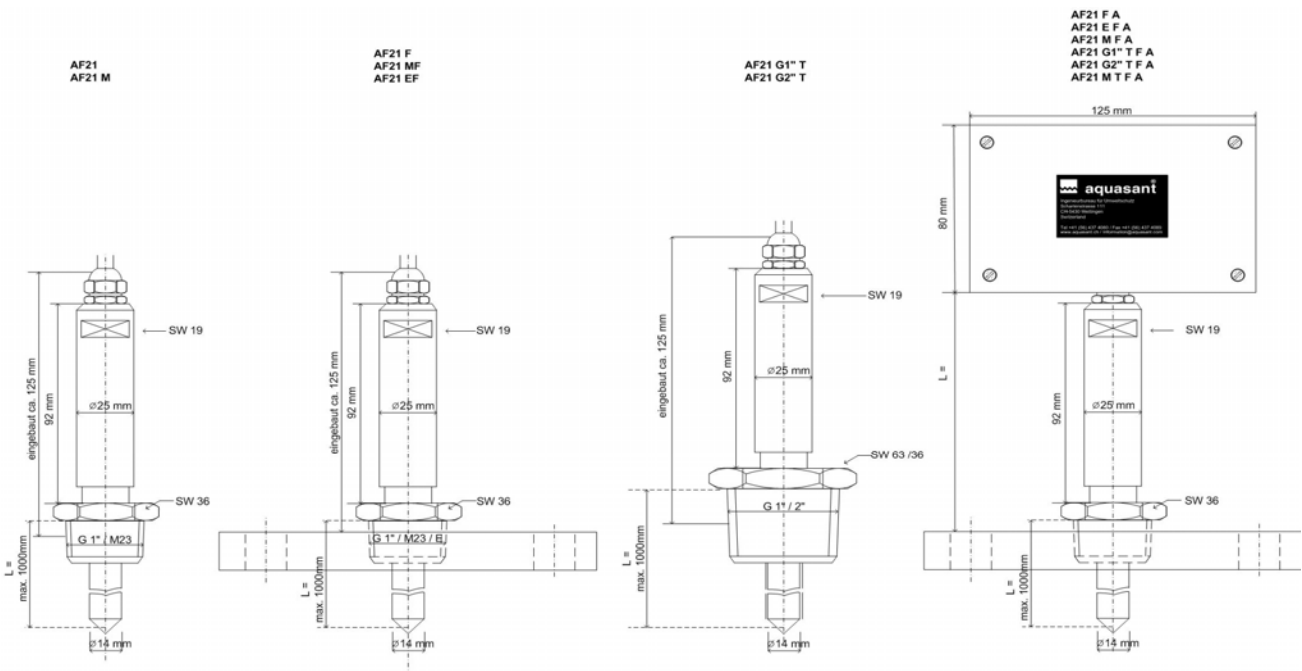
**Technical data**

Ex-classification: EEx ia IIC T4  
 Operating temperature: -190°C to 350°C  
 Operating pressure: -0.5 bar to 20 bar  
 Ambient temperature: -30°C to 80°C  
 Self monitoring: Yes  
 Mounting connection: G1"  
 Mounting length: Max. 1000mm  
 Material wet side: 1.4435, Quartz-Glass  
 Inline sterilization possible



**Control system types:** AS1, AS8, AS9, AN3, AN9, AS51-E24, AS83-E24, AS9-E24

**Options** Flange according to DIN or ANSI standard, tread M23x1, Weld fitting  
 Connector box aluminium



Types	Article no	Execution
AF21	102100	5m cable Sensor length 100mm
AF21 G1"	102112	5m cable Sensor length 100mm Mounting connection G1", 1.4435
AF21 M	102114	5m cable Sensor length 100mm Mounting connection M23x1, 1.4435
AF21 E	102111	5m cable Sensor length 100mm Weld fitting, 1.4435
AF21 F		5m cable Sensor length according to spec. Mounting connection G1", 1.4435 Flange according to spec.
AF21 MF		5m cable Sensor length according to spec. Mounting connection M23x1, 1.4435 Flange according to spec.
AF21 EF		5m cable Sensor length according to spec. Weld fitting, 1.4435 1.4435 flange according to spec.
AF21 G1" T	102113	5m cable Sensor with PTFE coating Sensor length 100mm Mounting connection G1" PTFE
AF21 G2" T		5m cable Sensor with PTFE coating Sensor length according to spec. Mounting connection G2" PTFE
AF21 M T	102115	5m cable Sensor with PTFE coating Sensor length 100mm Mounting connection M23x1
AF21 F A		Sensor length according to spec. Mounting connection G1", 1.4435 Flange according to spec. Aluminium connector box

AF21 EF A

Sensor length according to spec.  
Weld fitting 1.4435  
Flange according to spec.  
Aluminium connector box

AF21 MF A

Sensor length according to spec.  
Mounting connection M23x1, 1.4435  
Flange according to spec.  
Aluminium connector box

AF21 G1" TF A

Sensor with PTFE coating  
Sensor length according to spec.  
Mounting connection G1" PTFE  
PTFE flange according to spec.  
Aluminium connector box