

Datasheet

Type **AF1S**

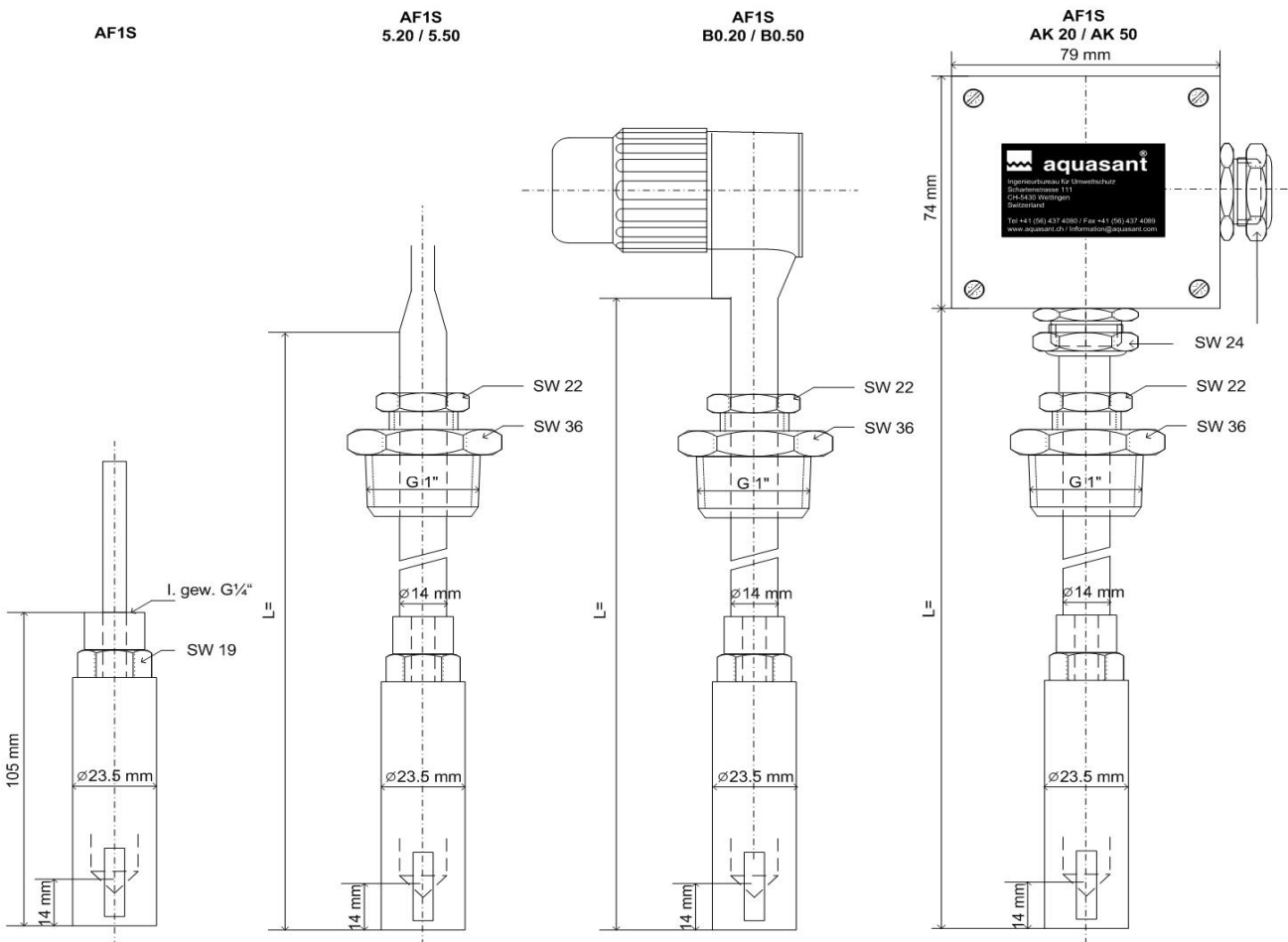
Technical data

Ex-classification: EEx ia IIC T4
 Operating temperature: -30°C to 70°C
 Operating pressure: -0.5 bar to 7bar
 Self monitoring: Yes
 Mounting connection: G1"
 Mounting length: According to customer spec.
 Material wet side: Polyamide 66, Duran Glass



Control system types: AS1, AS8, AS9, AN3, AN9, AS51-E24, AS83-E24, AS9-E24

Options
 Distance sleeve aluminium
 Mounting connection G 3/4", brass
 Mounting connection G 1", brass
 Connector box, polyester



Types	Article no	Execution
AF1S	101100	5m cable
AF1S 5.20	101111	5m cable PVC distance sleeve 200mm length Special length acc. to spec. Mounting connection G1", brass
AF1S 5.50	101112	5m cable PVC distance sleeve 500mm length Special length acc. to spec. Mounting connection G1", brass
AF1S B0 20	101113	PVC distance sleeve 200mm length Special length acc. to spec. Mounting connection G1", brass Connecting head Blade terminal 6.3mm
AF1S B0 50	101114	PVC distance sleeve 500mm length Special length acc. to spec. Mounting connection G1", brass Connecting head Blade terminal 6.3mm
AF1S AK 20	101115	PVC distance sleeve 200mm length Special length acc. to spec. Mounting connection G1", brass Connector box, polyester
AF1S AK 50	101116	PVC distance sleeve 500mm length Special length acc. to spec. Mounting connection G1", brass Connector box, polyester
AF1S VE 20	101117	PVC distance sleeve 200mm length Special length acc. to spec. Mounting connection G1", brass Connector box, aluminium Local electronic VE9
AF1S VE 50	101118	PVC distance sleeve 500mm length Special length acc. to spec. Mounting connection G1", brass Connector box, aluminium Local electronic VE9